



HEX70HDUK-TX Transmitter

Video Input Connectors: 1 x HDMI Type A, 19-pin, female, 1 x USB-C Type C, 1x DisplayPort™

Video Output Connectors: 1 x HDBaseT™ RJ45 connector

Audio Output Connectors: 5-Pin Phoenix connector (2ch balanced/unbalanced analogue audio), 1x Optical (S/PDIF)

RS-232 serial port: 1 x 3-Pin Phoenix connector

GPIO serial Port: 1 x 3-Pin GPIO Phoenix Connector

Local Power Input: 1 x 24V/5A 4-pin DIN connector

HEX70HDUK-RX Receiver

Video Input Connectors: 1 x HDMI Type A, 19-pin, female, 1 x HDBaseT™ RJ45 connector

Video Output Connectors: 1 x HDMI Type A, 19-pin, female

RS-232 serial port: 1 x 3-Pin Phoenix connector

Relay Control: 2 x 3-Pin Phoenix connector

Local Power Input: 1 x 24V/5A 4-pin DIN connector

Specifications - TX

- TCP/IP Control: 1x RJ45, female
- IR Input ports: 2x 3.5mm stereo jack
- IR Output ports: 1x 3.5mm mono jack
- USB Ports: 3x USB Type-A, 2x USB Type-B
- EDID: 4-Pin DIP switch
- Product upgrade: 1x Micro USB, female
- Casing Dimensions (W x H x D): 183mm x 44mm x 173mm

Specifications - RX

- IR Input ports: 1x 3.5mm stereo jack
- IR Output ports: 1x 3.5mm mono jack
- USB Ports: 2x USB Type-A
- EDID: 4-Pin DIP switch
- Product upgrade: 1x Micro USB, female
- Casing Dimensions (W x H x D): 155mm x 24mm x 155mm

Included Accessories

Power Supply	1 x 24V / 5A DC
USB Cable	1 x USB-A to USB-B
IR Accessories	1 x IRE1, 1 x IRR
RS-232 Cable	1 x DB9 to 3-Pin Phoenix Cable
Mounting	2 x Mounting Kit

USB Transmitting Channel	Max
Type-C to RX	HDBT 2.0 (250Mbps)
Host to RX	HDBT 2.0 (250Mbps)
Type-C to TX	USB 2.0 (480Mbps)
Host to TX	USB 3.0 (5Gbps)

Table Top Enclosure for HEX70HDUK-KIT



Description

Our HEX70HDUK-TT is a table top enclosure designed to provide a secure solution for mounting of the HEX70HDUK Transmitter. This attractive space-saving solution is constructed of high-grade steel with an aesthetically pleasing brushed aluminium black faceplate. The HEX70HDUK-TT includes a discrete hinged canopy providing easy access to the various ports and control buttons of your HEX70HDUK Transmitter.

The unit is supplied with a universal cable management lacer bar and table top mounting brackets for a secure yet easy installation into a boardroom table or desk as required.

Box Contents

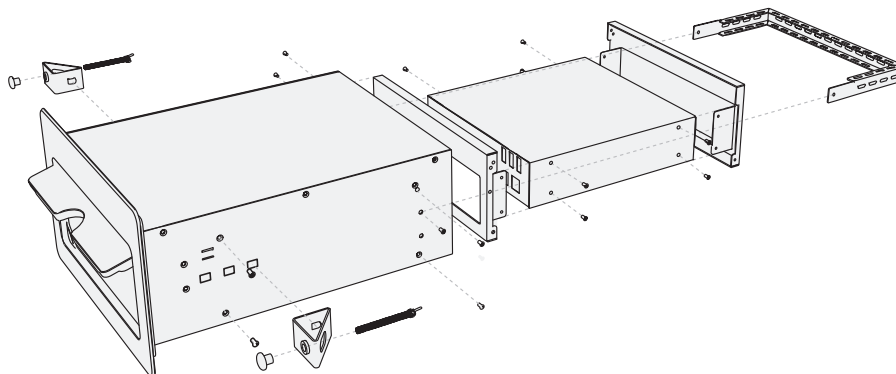
- 1 x HEX70HDUK-TT
- 1 x Cable lacer bar
- 2 x Table top mounting brackets
- 2 x Wing-nut bolts
- 1 x Cut template
- 1 x Quick reference guide

Key Features

- In desk enclosure for neatly housing the HEX70HDUK Transmitter, ideal for boardroom table installations
- Premium black brushed aluminium faceplate finish
- Discrete hinged canopy
- Supplied with a cable management lacer bar

Specifications

- Dimensions (W x D x H): 228mm x 141mm x 268mm
- In-desk cut-out (W x D): 204mm x 117mm
- Mounting Depth: 267mm
- Shipping Weight: 2.5kg



Regulatory Compliance



CAN ICES-003(B) / NMB-003(B)

Blustream cannot be held responsible for errors in typography or photography. Specifications are subject to change without notice.