

# ▶ CAT100AU

## User Manual

### Thank you for purchasing this product.

For optimum performance and safety, please read these instructions carefully before connecting, operating or adjusting this product. Please keep this manual for future reference.



### Surge protection device recommended

This product contains sensitive electrical components that may be damaged by electrical spikes, surges, electric shock, lightning strikes, etc. Use of surge protection systems is highly recommended in order to protect and extend the life of your equipment.

## Contents

Introduction	03
Features	03
Panel Descriptions	04
Specifications	05
Package Contents	05
Maintenance	05
Certifications	05
Schematic	06
Installer Notes	07

# Introduction

Our CAT100AU Audio over CAT5e/6 extender transmits audio signals up to a distance of 300m (192kHz signals up to 100m). This plug and play device will accept both optical and coaxial digital inputs and includes a built in DAC (Digital to Analogue Audio Converter) to enable use of the stereo left / right audio output.

---

## FEATURES:

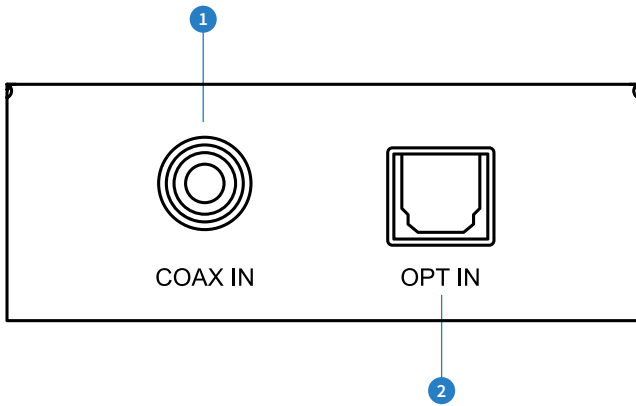
---

- Extends optical audio over Cat5/6 cable up to 300m\*
- Digital signal extension supports coaxial digital audio over Cat5/6 cable up to 300m\*
- Both optical and coaxial digital audio can be distributed simultaneously
- Converts S/PDIF optical or coaxial digital PCM audio (selectable) to analogue stereo left / right audio output
- Supports LPCM, DTS, Dolby Digital and Dolby Digital Plus when used as a straight digital in / digital out extender
- Supports sample rates 32 kHz, 44.1 kHz, 48 kHz, 96 kHz and 192 kHz up to 24-bit resolution
- Ultra low jitter and high fidelity design
- Supports PoC (Power over Cable) to power transmitter from receiver end
- Plug-and-play
- Small compact size

*\*CAT100AU supports distances of up to: 192K - 100m, 96K - 150m 48K - 300m*

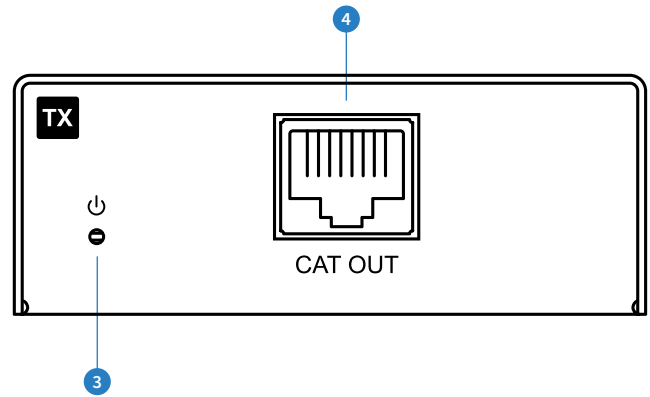
# Panel Descriptions

TX Front Panel



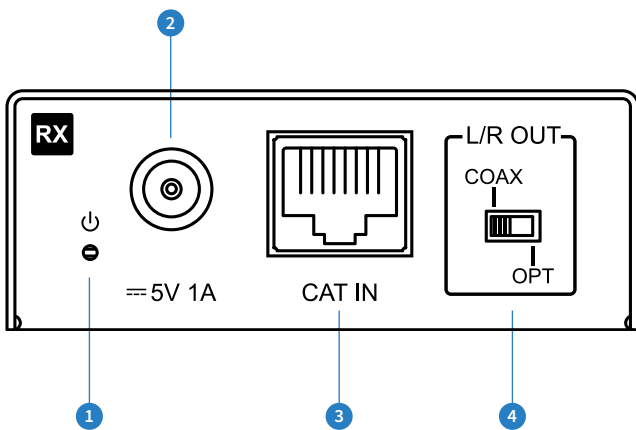
- 1 Coaxial digital input
- 2 Optical digital input

TX Back Panel



- 3 Power LED indicator – Displays the status of the power of the unit
- 4 Cat5e/6 RJ45 output

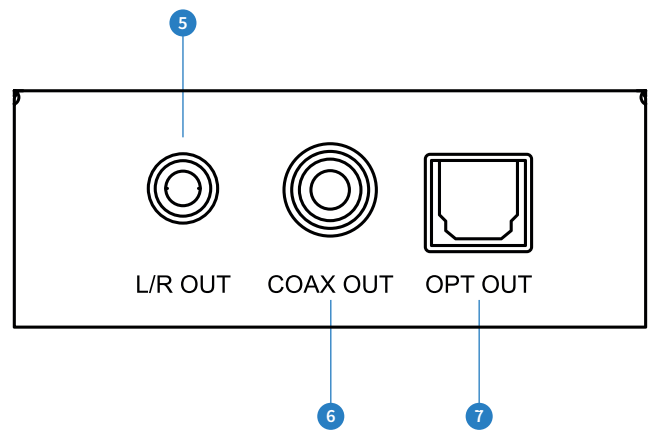
RX Front Panel



- 1 Power LED indicator – Displays the status of the power of the unit
- 2 Power port – Use supplied 5V/1A DC adaptor
- 3 Cat5e/6 RJ45 input
- 4 DAC input selection – Switch between Optical and Coaxial digital input to be converted to Analogue L/R audio output\*

\*L/R output supports 2ch PCM audio only

RX Back Panel



- 5 Analogue L/R audio output - 3.5mm stereo audio jack
- 6 Coaxial digital output
- 7 Optical digital output

# Specifications

## CAT100AU-TX

**Audio Input Connectors:** 1 x S/PDIF Optical audio & 1 x Coaxial digital

**Output Connectors:** 1 x RJ45

## CAT100AU-RX

**Input Connectors:** 1 x RJ45 & 5V/1A DC

**Output Connectors:** 1 x S/PDIF Optical audio, 1 x Coaxial digital & 1 x Analogue left / right - 3.5mm stereo audio jack

**Casing Dimensions (W x D x H):** 65mm x 70mm x 25mm

**Dimensions Including Connections (W x D x H):** 65mm x 80mm x 25mm

**Shipping Weight:** 0.4kg

**Operating Temperature:** 32°F to 104°F (0°C to 40°C)

**Storage Temperature:** -4°F to 140°F (-20°C to 60°C)

**Power Supply:** 5V/1A DC

## Package Contents

- 1 x CAT100AU-TX
- 1 x CAT100AU-RX
- 1 x 5V/1A DC Power Supply
- 2 x Mounting Kits
- 1 x User Manual

## Maintenance

Clean this unit with a soft, dry cloth. Never use alcohol, paint thinner or benzene to clean this unit.

## Certifications

### FCC NOTICE

This equipment has been tested and found to comply with the limits for a Class B digital device, pursuant to part 15 of the FCC Rules. These limits are designed to provide reasonable protection against harmful interference in a residential installation. This equipment generates, uses, and can radiate radio frequency energy and, if not installed and used in accordance with the instructions, may cause harmful interference to radio communications. However, there is no guarantee that interference will not occur in a particular installation. If this equipment does cause harmful interference to radio or television reception, which can be determined by turning the equipment off and on, the user is encouraged to try to correct the interference by one or more of the following measures:

- Reorient or relocate the receiving antenna.
- Increase the separation between the equipment and receiver.
- Connect the equipment into an outlet on a circuit different from that to which the receiver is connected.
- Consult the dealer or an experienced radio/TV technician for help.

**CAUTION** - changes or modifications not expressly approved by the party responsible for compliance could void the user's authority to operate the equipment.

### CANADA, INDUSTRY CANADA (IC) NOTICES

This Class B digital apparatus complies with Canadian ICES-003.

Operation is subject to the following two conditions: (1) this device may not cause interference, and (2) this device must accept any interference, including interference that may cause undesired operation of the device.

### CORRECT DISPOSAL OF THIS PRODUCT

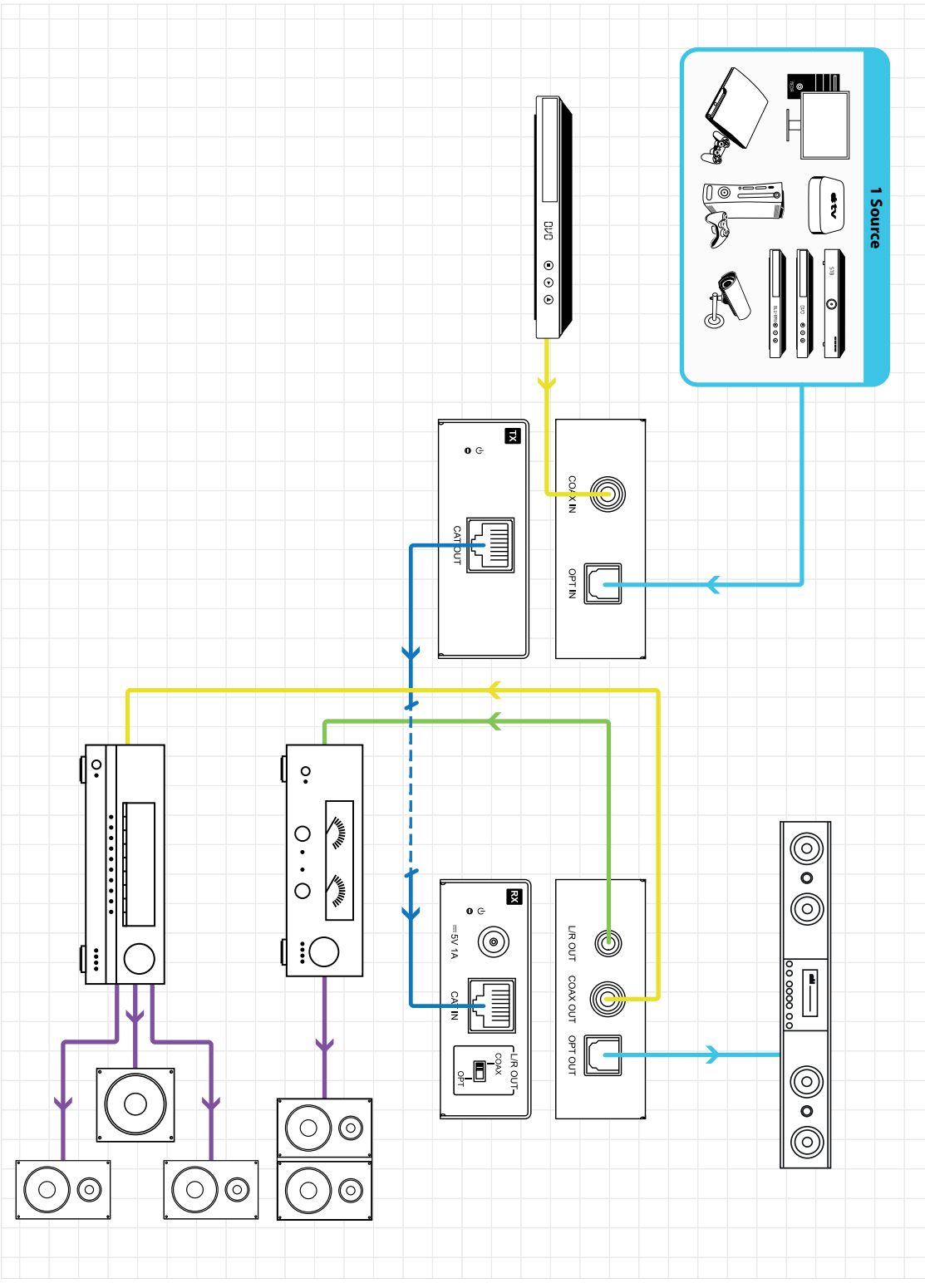
This marking indicates that this product should not be disposed with other household wastes. To prevent possible harm to the environment or human health from uncontrolled waste disposal, recycle it responsibly to promote the sustainable reuse of material resources. To return your used device, please use the return and collection systems or contact the retailer where the product was purchased. They can take this product for environmentally safe recycling.

**Contact:** support@blustream.com.au | support@blustream-us.com | support@blustream.co.uk

BLUSTREAM

Example Schematic  
CAT100AU

- Optical Digital
- Coaxial Digital
- Analogue Audio
- Speaker Cable
- CAT







[www.blustream-us.com](http://www.blustream-us.com)  
[www.blustream.com.au](http://www.blustream.com.au)  
[www.blustream.co.uk](http://www.blustream.co.uk)