

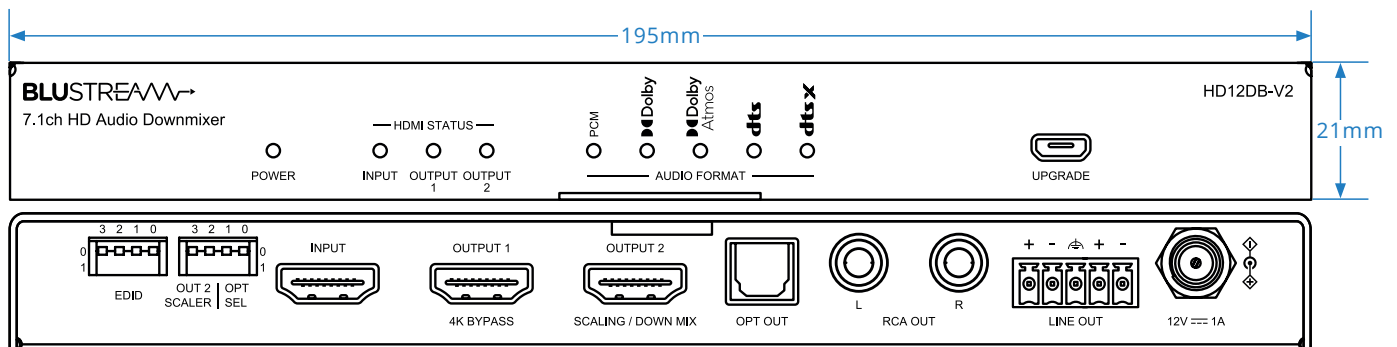
7.1ch HD Audio Downmixer

Description

The Blustream HD12DB-V2 has been designed to convert and downmix embedded 7.1ch Dolby Audio or DTS Audio within a HDMI signal, into a stereo 2ch signal available on HDMI, optical and analogue audio outputs.

The HD12DB-V2 features a HDMI loop out to pass the original video and multi-channel embedded audio signal to compatible equipment, with a second HDMI output featuring video down-conversion of 4K 60Hz 4:4:4 video down to 1080p.

This provides the perfect cost effective solution for ensuring that 4K UHD video and multi-channel audio can be distributed around a multi-room system where there are a mixture of 2ch and 7.1 ch zones with multiple output resolution requirements.



Key Features

- Features an in-built DAC (Digital to Analogue audio converter) that converts 7.1ch Dolby Audio or DTS Audio to a stereo 2ch signal available on HDMI, optical and analogue audio outputs concurrently
- Supports multi channel audio input formats up to Dolby Atmos and DTS:X
- Features 1 x HDMI input supporting 4K UHD video (4K 60Hz 4:4:4) that is replicated to 2x HDMI outputs
- HDMI loop out will replicate the HDMI input signal up to 4K 60Hz 4:4:4 and 7.1ch Dolby Audio & DTS Audio
- HDMI output 2 features a video downconversion from 4K down to 1080p
- HDMI audio breakout to downmixed analogue L/R audio and downmixed optical digital outputs concurrently
- HDCP 2.2 compliant with advanced EDID management

Blustream cannot be held responsible for errors in typography or photography. Specifications are subject to change without notice.



Specifications

- Dimensions (W x H x D): 195mm x 21mm x 93mm
- Shipping Weight: 1.0 Kg
- Operating Temperature: 32°F to 104°F (0°C to 40°C)
- Storage Temperature: - 4°F to 140°F (- 20°C to 60°C)
- Power Supply: 12V/1A DC

Connectivity

- Video Input Connectors: 1 x HDMI Type A, 19-pin, female
- Video Output Connectors: 2 x HDMI Type A, 19-pin, female
- Audio Output Connectors: 1 x Optical (Toslink), 2 x RCA analogue left/right, 1 x 5-Pin Phoenix balanced/unbalanced left/right
- EDID Selection: 4-Pin DIP Switch
- Output 2 Scaler Selection / Optical Output Selection: 4-Pin DIP Switch
- Product upgrade: 1 x Micro USB female

Package Contents

- 1 x HD12DB-V2
- 1 x 12V / 1A DC Power Supply
- 1 x Mounting Kit
- 4 x Rubber Feet
- 1 x Quick Reference Guide

Regulatory Compliance



Blustream cannot be held responsible for errors in typography or photography. Specifications are subject to change without notice.