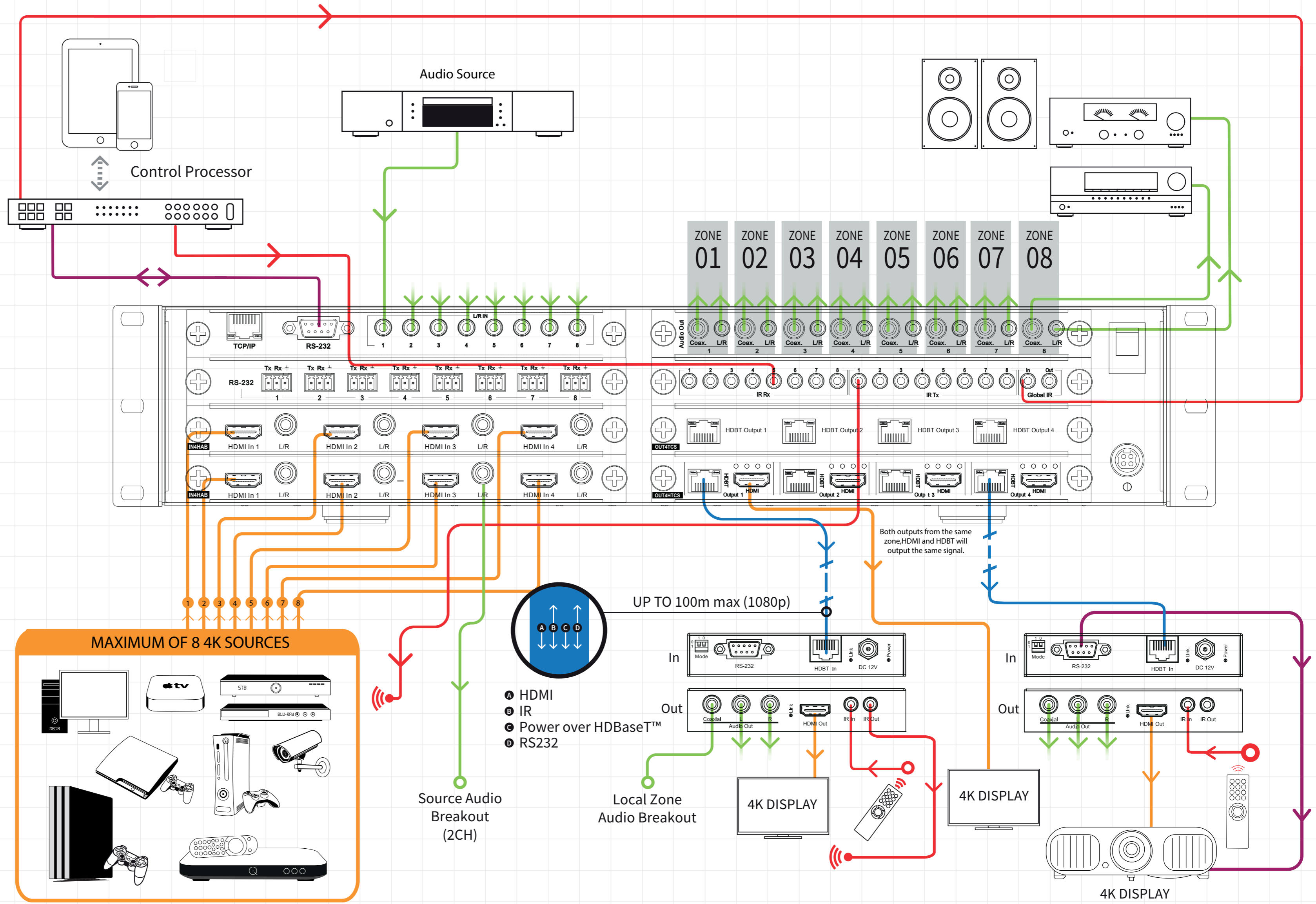


Example Schematic
PRO88HDBT100CS



- CAT 5e/6/6a/7
- RS232
- HDMI
- Audio
- IR Cable

*Receiver used = HEX100CS-RX